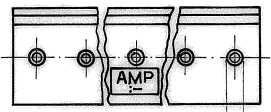
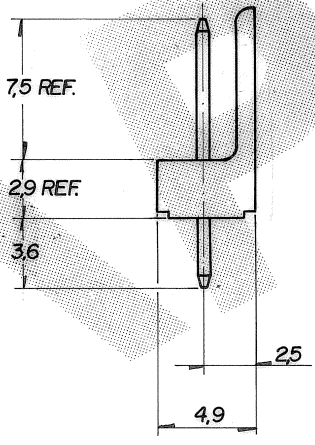
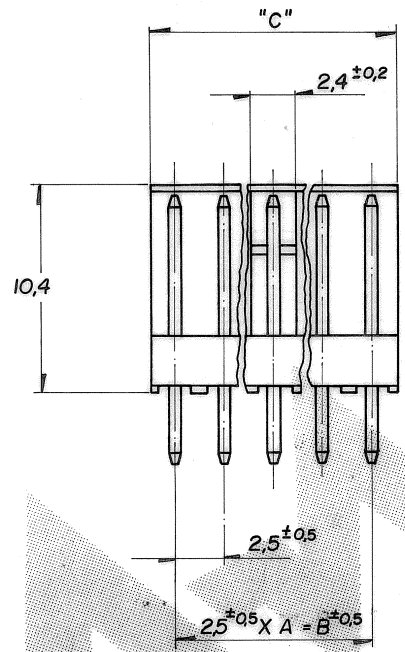


DO NOT SCALE  
DIMENSIONS IN MM.

METRIC



$\varnothing 0,64 \pm 0,05$



RESTRITO PARA TELEFUNKEN

OBSOLETE  
See Sheet 2 of 2

1 - MATERIAL - HEADER: NYLON 6/6 94-VO  
PINO: LATÃO -ESTANHO SOBRE NICKEL.

2 - OBSOLETE PARTS: OBSOLETE CIS STREAMLINING PER D.RENAUD/ D.SINISI.

OBSOLETE  
See Sheet 2 of 2  
OBSOLETE

300	27,5	11	12					5-	-2
27,5	25,0	10	11					5-	-1
25,0	22,5	9	10					5-	-0
22,5	20,0	8	9					4-	-9
20,0	17,5	7	8					4-	-8
17,5	15,0	6	7					4-	-7
15,0	12,5	5	6					4-	-6
12,5	10,0	4	5					4-	-5
10,0	7,5	3	4					4-	-4
7,5	5,0	2	3					4-	-3
						NATURAL		4-	-2
37,5	35,0	14	15					3-	-5
35,0	32,5	13	14					3-	-4
32,5	30,0	12	13					3-	-3
30,0	27,5	11	12					3-	-2
27,5	25,0	10	11					3-	-1
25,0	22,5	9	10					3-	-0
22,5	20,0	8	9					2-	-9
20,0	17,5	7	8					2-	-8
17,5	15,0	6	7					2-	-7
15,0	12,5	5	6					2-	-6
12,5	10,0	4	5					2-	-5
10,0	7,5	3	4					2-	-4
7,5	5,0	2	3					2-	-3
						PRETO		2-	-2
37,5	35,0	14	15					1-	-5
35,0	32,5	13	14					1-	-4
32,5	30,0	12	13					1-	-3
30,0	27,5	11	12					1-	-2
27,5	25,0	10	11					1-	-1
25,0	22,5	9	10					1-	-0
22,5	20,0	8	9					2	-9
20,0	17,5	7	8						-8
17,5	15,0	6	7						-7
15,0	12,5	5	6						-6
12,5	10,0	4	5						-5
10,0	7,5	3	4						-4
7,5	5,0	2	3						-3

TOLERÂNCIA NÃO CUMULATIVA

$1,0 \pm 0,05$  DIA.

FURAÇÃO P/PLACA DE C.I.  
RECOMENDADA

CUSTOMER DWG  
for REFERENCE ONLY

THIS DRAWING IS UNPUBLISHED. RELEASED FOR PUBLICATION  
© COPYRIGHT 19 BY AMP DO BRASIL LTDA S.P. ALL INTERNATIONAL RIGHTS RESERVED AMP PRODUCTS MAY BE COVERED BY U.S. AND FOREIGN PATENTS AND/OR PATENTS PENDING.

J3	REV. ECO-10-016285	H.C.	WLS	DEC-10
J2	REV. ECO-09-026444	KK	AEG	27NOV99
J1	Revisado E.C. 0204-93	H.C.	FEV-01	JUL-93
J	Revisado ECN 2668	H.C.	JUN-12	09-91
I	Revisado ECN 2668	H.C.	JUN-12	09-91
H	Revisado ECN 2612	H.C.	JUN-30	7-91
G	Revisado ECN 2529	H.C.	JUN-28	5-91
F	Revisado ECN 2111	H.C.	JUN-22	06-90
E	Redes. e Revisado ECN 2101	H.C.	JUN-06	13-90

TOLERANCES UNLESS OTHERWISE STATED  
DEC. ± 0,3  
ANGLES ± 1°  
DR. *Alves* 06/03/90  
CHK.  
DE.

INS. DIA. RANGE WIRE RANGE SCALE

**Tyco Electronics**  
TYCO ELECTRONICS DO BRASIL LTDA  
São Paulo - Brasil

DESCRIPTION  
AMP E.I. SÉRIES HEADER ASS'Y  
STRAIGHT (ROUND POST)

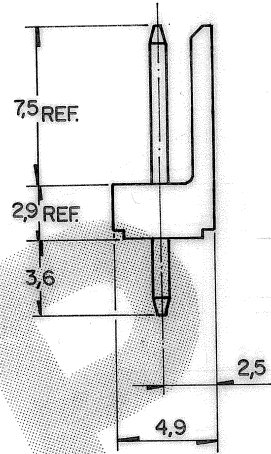
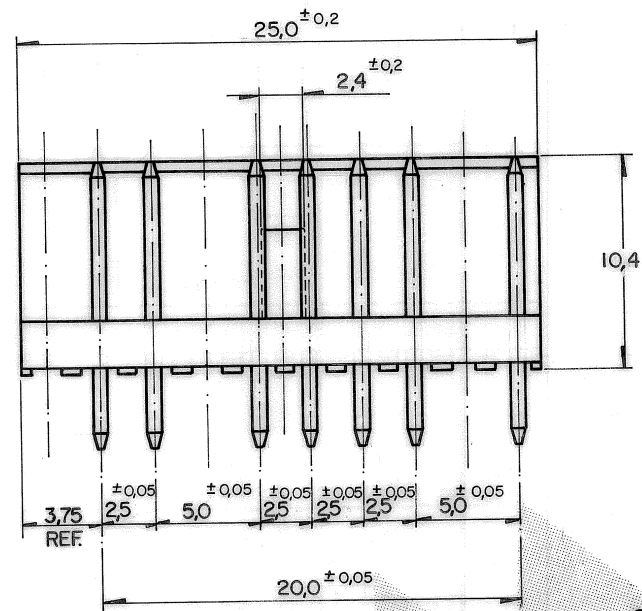
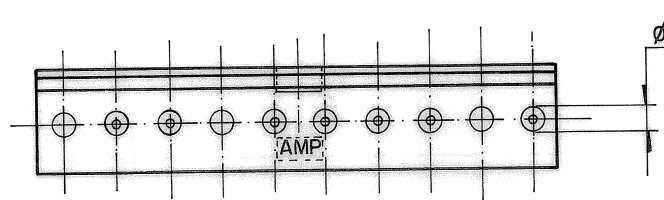
DWG NO  
**A3 C 880222**

SHEET  
1 of 2

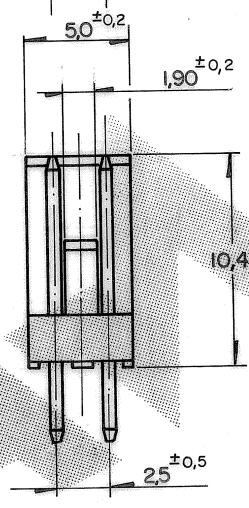
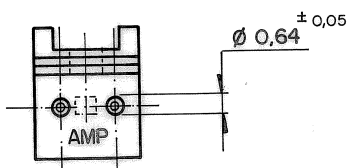
ISS	REVISION	RECORD	DR	CHK	DATE	APP	DATE
						<i>Alves</i>	22/03/90

DO NOT SCALE  
DIMENSIONS IN

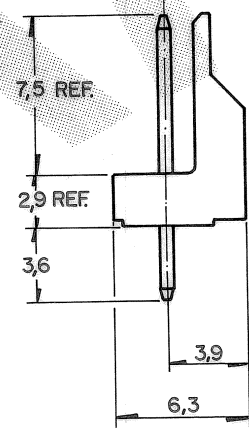
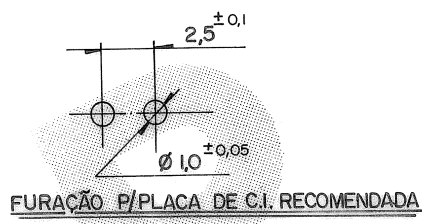
**METRIC**



07 POSIÇÕES

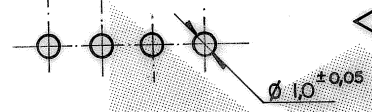


02 POSIÇÕES



2.5 ± 0.1 TOLERÂNCIA NÃO CUMULATIVA

FURAÇÃO P/PLACA DE C.I. RECOMENDADA



**NOTAS:**

- 1 - MATERIAL: HEADER - NYLON 6/6 - 94 V-O.  
PINO - LATAO - ESTANHO SOBRE NICKEL.
- 2 - OBSOLETE PARTS: OBSOLETE CIS STREAMLINING  
PER D. REAUD / D. SINISI.

OBSOLETE	7	NATURAL		6	- 1	2
OBSOLETE RESTRIITO P/ TELEFUNKEN	1	NATURAL		4	- 2	
OBSOLETE		PRETO		2	- 2	
	2	NATURAL				880222 - 2

OTHER TREATMENT	Nº POS.	FINISH	MATERIAL	PART NUMBER
<b>CUSTOMER DWG</b> for REFERENCE ONLY				
THIS DRAWING IS UNPUBLISHED. RELEASED FOR PUBLICATION 19				
© COPYRIGHT 19 BY AMP DO BRASIL LTDA S.P. ALL INTERNATIONAL RIGHTS RESERVED. AMP PRODUCTS MAY BE COVERED BY U.S. AND FOREIGN PATENTS AND/OR PATENTS PENDING.				
TOLERANCES UNLESS OTHERWISE STATED DEC. ± 0,5 ANGLES ± 1°		INS. DIA. RANGE	WIRE RANGE	SCALE
DR. H.C. CANTELO 08/JUN/93		Tyco Electronics TYCO ELECTRONICS DO BRASIL LTDA São Paulo - Brasil		
CHK. DELUXO 14/JUN/93		DESCRIPTION AMP E.I. SERIES HEADER ASS'Y STRAIGHT (ROUND POST)		
DE.		DWG NO A3 C 880222		
ISS		SHEET 2 OF 2		
REVISION	RECORD	DR	CHK	DATE
				APP 10/Jul/93

50% Sheet 1 of 2